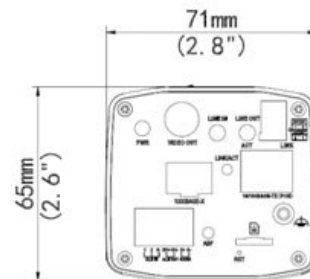
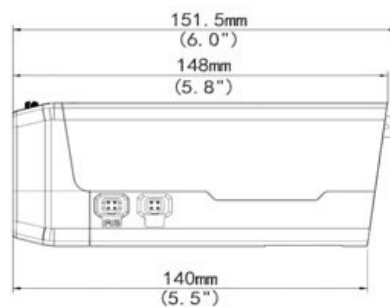


CP- VNC-B21-VMDS

2 MP Full HD WDR Box Camera

INDIGO



Main Features

- 1/1.9" 2MP PS CMOS Image Sensor
- Max. 60 fps@1080P
- H.265, H.264, MJPEG Triple-stream Encoding
- WDR(120dB), Day/Night (ICR), Corridor mode, 3D DNR, ROI, Defog, AWB, AGC, BLC, HLC
- CS Mount lens, Micro SD, PoE
- 6 KV surge protection designed for network interface
- Supports Instastream technology, save disk space and bandwidth upto 70%
- Mobile Software: Android, iOS
- CMS Software: IVMS



Instastream

CE FC RoHS COMPLIANT

*Product casing and specifications are subject to change without prior notice

CP- VNC-B21-VMDS

2 MP Full HD WDR Box Camera



Feature

Image Sensor
Minimum Illumination
Shutter Speed
White Balance
Lens
Gain Control (AGC)
Video Compression
S/N Ratio
Video Streaming
Video Output
Resolution
Frame Rate
Privacy Mask
ICR
ROI
Audio Input
Audio Output
Audio Compression
Alarm IN
Alarm Out
WDR
Interface
Protocol
Smart Detection
Ethernet
OSD
Micro SD
Audio
Operating Temperature
Humidity
Power Source

Specification

1/1.9" 2MP Progressive scan CMOS
Colour: 0.002 Lux (F1.2, AGC ON) B/W:0.0002 Lux(F1.2, AGC ON)
Auto/Manual, 1/6~1/100000 s
Auto/Manual
CS Mount Lens
Auto/Manual
H.265, H.264, MJPEG
>52dB
Triple
1 BNC, impedance 75Ω; amplitude 1 V [p-p]
2MP (1920 × 1080)
1080P (1920×1080): Max. 60 fps , 720P (1280×720): Max. 30 fps , D1 (720×576): Max. 15 fps
Up to 4 areas
Automatically removable IR-cut filter (ICR)
Supports
impedance 35 kΩ; amplitude 2 V [p-p]
impedance 600 Ω; amplitude 2 V [p-p]
G.711
2 Ch. IN
1 Ch. Out
Upto 120 dB
1 RS485 (support Pelco-D/P)
IPv4, IGMP, ICMP, ARP, TCP, UDP, L2TP, DHCP, PPPoE, RTP, RTSP, RTCP, DNS, DDNS, NTP, FTP, UPnP, HTTP, HTTPS, SMTP, 802.1x, ONVIF, API
Intrusion, crossing line, Motion detection, Audio detection, Face detection, People counting
100M/1000M Base-FX SFP + 100M/1000M Base-TX Ethernet
Up to 8 OSDs
Micro SD, up to 128 GB
Two-way Talking Supported
-20°C ~ +60°C (-4°F ~ 140°F)
≤ 95% RH (non-condensing)
24 V AC, 12 V DC, or PoE (IEEE802.3 af)



CP- VNC-B21-VMDS

2 MP Full HD WDR Box Camera



Feature

Power Consumption

Dimension

Weight

Specification

4.8W (6.8W with ICR on)

151.5mm x 71mm x 65 mm

0.48 kg